



ACM-4200/ACM-4201



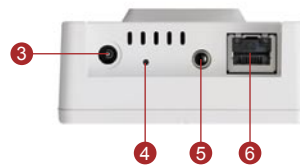
* The bracket is included.

- 1/3" Micron Progressive Scan CMOS
- Bundled with f4.2 mm / F1.8 Megapixel lens
- 0.5 Lux at F1.0
- Shutter speed, White Balance, Exposure , Gain Controls supported
- Selectable MPEG-4 / MJPEG compression
- Up to SXGA resolution at 8 FPS
- Multi-stream with variable frame rate in the same compression
- Two-way audio supported
- Hardware motion detection
- DC 12V or Power over Ethernet (IEEE 802.3af) supported (ACM-4201)



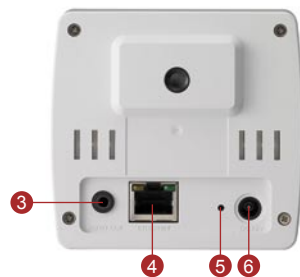
- 1 Power LED
- 2 Built-in Microphone

ACM-4200



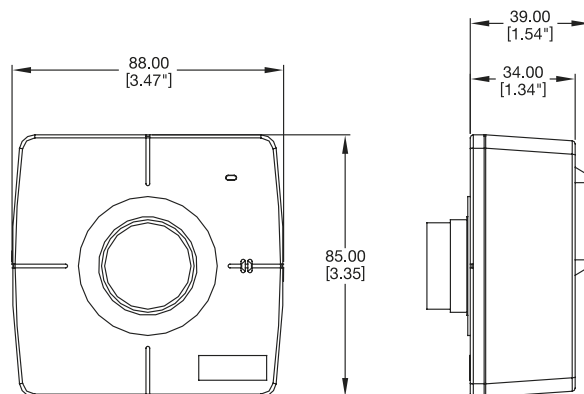
- 3 DC 3.3 V Power Input
- 4 Reset Button
- 5 Audio Output
- 6 Ethernet Port

ACM-4201



- 3 Audio Output
- 4 Ethernet Port
- 5 Reset Button
- 6 DC 12 V Power Input

DIMENSION DIAGRAM



Unit: mm [inch]



ACM-4200/ACM-4201

PRODUCT SPECIFICATION

		ACM-4200	ACM-4201
Image	Device	Micron Progressive Scan CMOS	
	Size	1/3 inch	
	Effective Pixels	1280 x 1024	
Min. scene Illumination	Color	0.5 Lux at F1.0 (2400 °K, 30 IRE)	
Lens	Lens	f4.2 mm / F1.8	
	Viewing Angle	75° (Horizontal)	
Synchronization	Sync. System	Internal	
Functions	Motion Detection	Yes (3 windows)	
	Electronic shutter	1/5 ~ 1/2,000 sec. (60Hz)	
		1/5 ~ 1/2,000 sec. (50Hz)	
	Flickerless	1/120 sec. (60Hz)	
		1/100 sec. (50Hz)	
	BLC	Yes	
AGC	Automatic (User defined)		
White Balance	AUTO, INDOOR1, INDOOR2, OUTDOOR1, OUTDOOR2, HOLD CURRENT, MANUAL		
S/N Ratio	S/N Ratio	Better than 44 dB	
Video Compression	Compression	MPEG-4 SP / MJPEG selectable	
	Picture Resolution	SXGA (1280 x 1024)	
		HD 720 (1280 x 720)	
		VGA (640 x 480)	
		QVGA(320 x 240)	
Bit Rate	28 K ~ 3 M bps		
Image Frame Rate	8 fps at SXGA; 10 fps at HD720; 30 fps at VGA; 30 fps at QVGA; 30 fps at QQVGA		
Audio Input	Compression	8kHz, Mono, PCM	
	Built-in Microphone	Sensitivity: -36±3dB(0dB=1V/Pa); S/N Ratio: more than 58 dB; Directivity: Omni-directional	
Audio Output	Compression	8kHz, Mono, PCM	
	Audio Line Output	Unbalanced, 1.4Vp-p, 1Vrms, 3.5mm Phone Jack	
External I/O	Reset Button	Factory default	
	LED	System status	
Network	Ethernet	Ethernet(10/100 Base-T), RJ-45 connector	
	Protocol	TCP, UDP, IP, HTTP, DHCP, PPPoE, RTP, RTSP, FTP, SMTP, DNS, DDNS, NTP, ICMP, IGMP, ARP, 3GPP	
Software	Web Browser	Microsoft Internet Explorer 6.0 or above	
	SDK	ACTi SDK-10000	
	Security	Password protection: configured by the administrator	
Operating	Temperature	0 °C ~ 40 °C (32 °F ~ 104 °F)	
Power	Power Requirement	DC 3.3 V ±10%	PoE (IEEE 802.3af) with Class 3
	Power Consumption	2.4 W	2.88 W (DC 12V), 3.00 W (PoE)
Physical	Dimensions (WxHxD)	88 mm x 85 mm x 39 mm (3.47" x 3.35" x 1.54")	
	Weight	150 g (0.33 lb) (w/o bracket)	

ORDERING INFORMATION

Model Name	DC12V/PoE
ACM-4200	
ACM-4201	V

ACCESSORY OPTIONS

- Lens, f2.4 ~ 6mm F1.2, CS mount, Format 1/3" LEN-201
- Lens, f2.8 ~ 12mm F1.6, CS mount, Format 1/3" LEN-205

Bundled Accessory



- Max. Load: 1.5 kg
- Material / Color: ABS PLASTIC / Grey
- Dimension (H x D): 115 mm x 80 mm
- Swivel Angle: 360°
- Tilt Angle: 90°